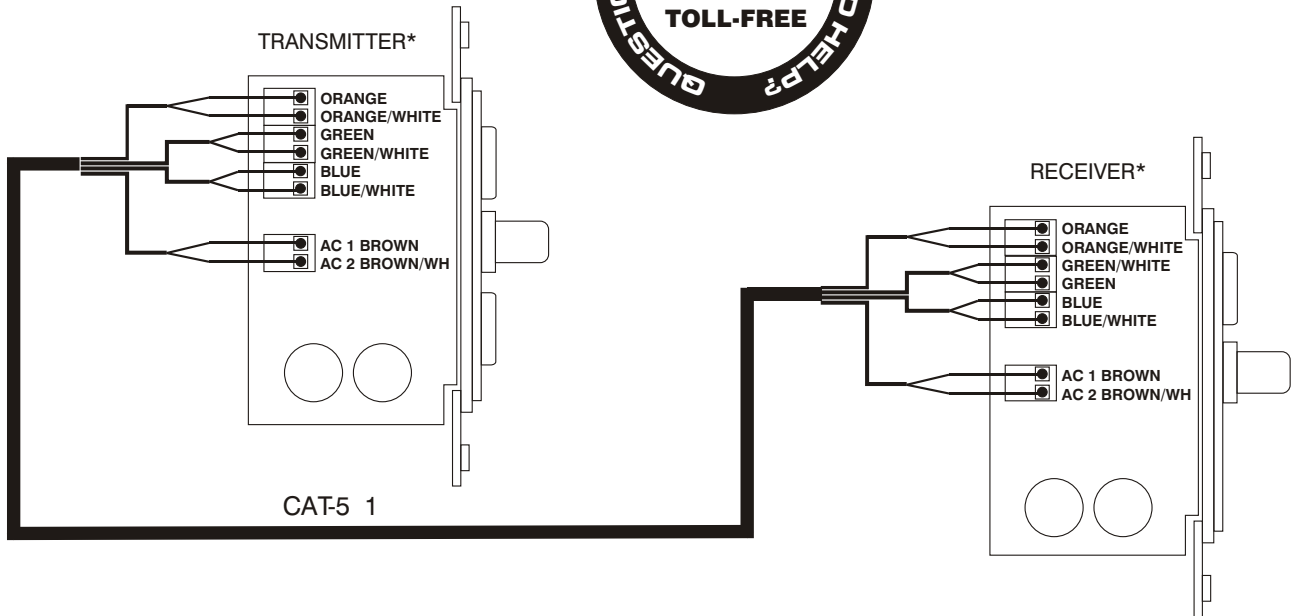


**C5SVDAK S-VIDEO KIT**  
**WIRING CHART** PATENT APPLIED FOR

**\*IMPORTANT**  
 Please note that the wire locations are different on the transmitter and video receiver plates.



**TYPICAL C5SVDAK DRIVER PLATE APPLICATION**

